

Deep Well Plates

I. APPLICATIONS

1. Bacterial culture, bacterial storage, compound storage for screening libraries, etc.

II. FEATURES

1. Materials: polypropylene.
2. Certified DNase/RNase-free.
3. Resistant to harsh organic solvents.
4. Autoclavable to 121°C, 20psi for 20 minutes without any deforming.
5. Freezable to -80°C.
6. Can withstand centrifugation of 3000-4000 RCF without damaging or deforming.
7. Compliant with SBS standards for automation; compatible with automated DNA extraction equipment.
8. Can be sealed with sealing film, silicone covers, self-adhesive covers, etc.

III. PLATE DESIGN

1. Deep Well Plates with square or round wells are available.
2. Well volumes: 0.5ml (square), 1.0ml (round), 1.6 ml (square), 2.2 ml (square), or 10ml (square).
3. 96 wells or 24 wells per plate.
4. Sterilized, individually wrapped, and with lid type optional.

IV. PACKAGING

1. Bulk, non-sterile.

V. DESCRIPTION

Item	Description	Packaging	Sterile	Cap
02-1016	96 square wells, 1.6ml, U bottom	Bulk, 24 pieces/pack, 4 packs/case	No	No
02-1116	96 square wells, 1.6ml, U bottom	Bulk, 10 pieces/pack, 5 packs/case	Yes	No
02-1116	96 square wells, 1.6ml, U bottom	Bulk, 24 pieces/pack, 4 packs/case	No	Yes
02-1316	96 square wells, 1.6ml, U bottom	Bulk, 10 pieces/pack, 5 packs/case	Yes	Yes
02-1022	96 square wells, 2.2ml, U bottom	Bulk, 24 pieces/pack, 4 packs/case	No	No
02-1122	96 square wells, 2.2ml, U bottom	Bulk, 10 pieces/pack, 5 packs/case	Yes	No
02-1222	96 square wells, 2.2ml, U bottom	Bulk, 24 pieces/pack, 4 packs/case	No	Yes
02-1322	96 square wells, 2.2ml, U bottom	Bulk, 10 pieces/pack, 5 packs/case	Yes	Yes
02-2010-50	96 round wells, 1.0ml, U bottom	Bulk, 10 pieces/pack, 5 packs/case	No	No
02-2110	96 round wells, 1.0ml, U bottom	Bulk, 10 pieces/pack, 5 packs/case	Yes	No
02-2210	96 round wells, 1.0ml, U bottom	Bulk, 24 pieces/pack, 4 packs/case	No	Yes
02-2310	96 round wells, 1.0ml, U bottom	Bulk, 10 pieces/pack, 5 packs/case	Yes	Yes
02-6022	96 square wells, 2.2ml, profile concave, U bottom	Bulk, 24 pieces/pack, 4 packs/case	No	No

02-6122	96 square wells, 2.2ml, profile concave, U bottom	Bulk, 10 pieces/pack, 5 packs/case	Yes	No
02-6222	96 square wells, 2.2ml, profile concave, U bottom	Bulk, 24 pieces/pack, 4 packs/case	No	Yes
02-6322	96 square wells, 2.2ml, profile concave, U bottom	Bulk, 10 pieces/pack, 5 packs/case	Yes	Yes
02-7022	96 square wells, 2.2ml, V bottom	Bulk, 10 pieces/pack, 5 packs/case	No	No
02-7122	96 square wells, 2.2ml, V bottom	Bulk, 10 pieces/pack, 5 packs/case	Yes	No
02-7222	96 square wells, 2.2ml, V bottom	Bulk, 10 pieces/pack, 5 packs/case	No	Yes
02-7322	96 square wells, 2.2ml, V bottom	Bulk, 10 pieces/pack, 5 packs/case	Yes	Yes
02-8005	96 square wells, 0.5ml, V bottom	Bulk, 10 pieces/pack, 10 packs/case	No	No
02-8105	96 square wells, 0.5ml, V bottom	Bulk, 10 pieces/pack, 10 packs/case	Yes	No
02-8205	96 square wells, 0.5ml, V bottom	Bulk, 10 pieces/pack, 10 packs/case	No	Yes
02-8305	96 square wells, 0.5ml, V bottom	Bulk, 10 pieces/pack, 10 packs/case	Yes	Yes
02-9010	24 square wells, 10.0ml, V bottom	Bulk, 5 pieces/pack, 10 packs/case	No	No
02-9010	24 square wells, 10.0ml, V bottom	Bulk, 5 pieces/pack, 10 packs/case	Yes	No
02-9010	24 square wells, 10.0ml, V bottom	Bulk, 5 pieces/pack, 10 packs/case	No	Yes
02-9010	24 square wells, 10.0ml, V bottom	Bulk, 5 pieces/pack, 10 packs/case	Yes	Yes
02-0096	96 tip comb	2 pieces/pack, 25 packs/case	No	/
02-0196	96 tip comb	2 pieces/pack, 25 packs/case	Yes	/
02-0008	Magnet set	2 pieces/pack, 100 packs/case	No	/

VI. STERILITY

1. Non-sterile and sterile all available.

VII. CERTIFICATION

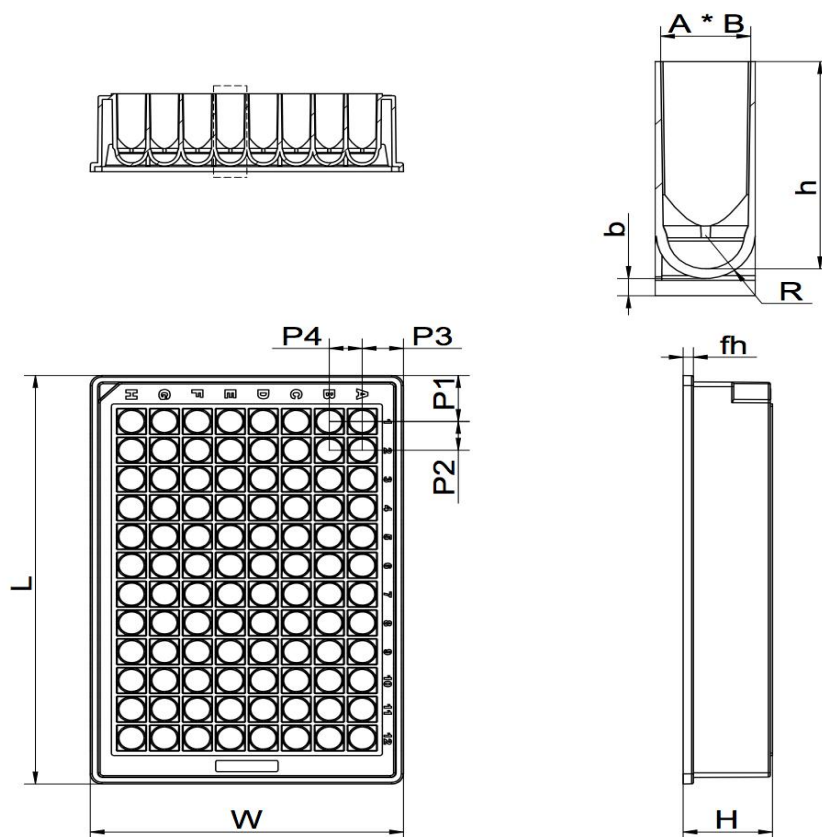
Biologix products are manufactured completely according to the TUV ISO 9001:2008 standard.

VIII. RESTRICTIONS

Refer to the Chemical Resistance Chart in our catalog, and available within our online catalog.

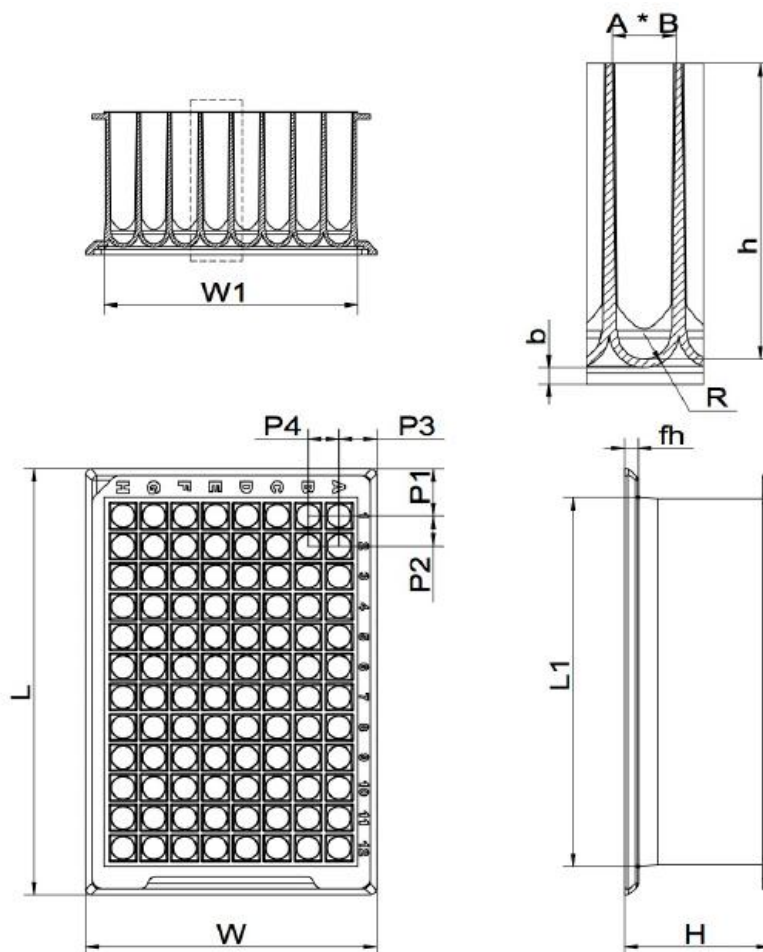
IX. PRODUCT PARAMETER

Dimensions = mm



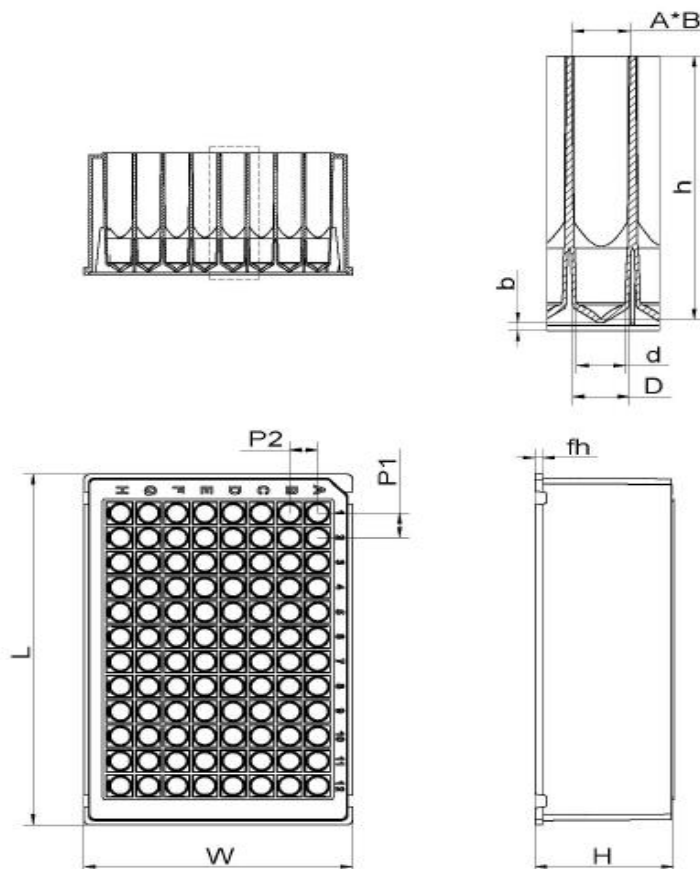
Item	Plate dimension				Well dimension		
	Length	Width	Height		Depth	Edge length	
	L	W	H	fh	h	A	B
02-2010	127.76	85.48	24.40	2.80	21.60	8.2	8.2
02-1016	127.76	85.48	31.60	2.50	28.50	8.2	8.2
02-1022	127.50	85.40	41.60	2.80	39.00	8.2	8.2

Item	Bottom		Position of well center				Theoretical Weight[g]
	radius	Space					
	R	b	P1	P2	P3	P4	
02-2010	4.5	1.8	14.38	9.00	11.24	9.00	53.20
02-1016	4.5	1.8	14.38	9.00	11.24	9.00	77.70
02-1022	4.5	1.8	14.25	9.00	11.20	9.00	101.60



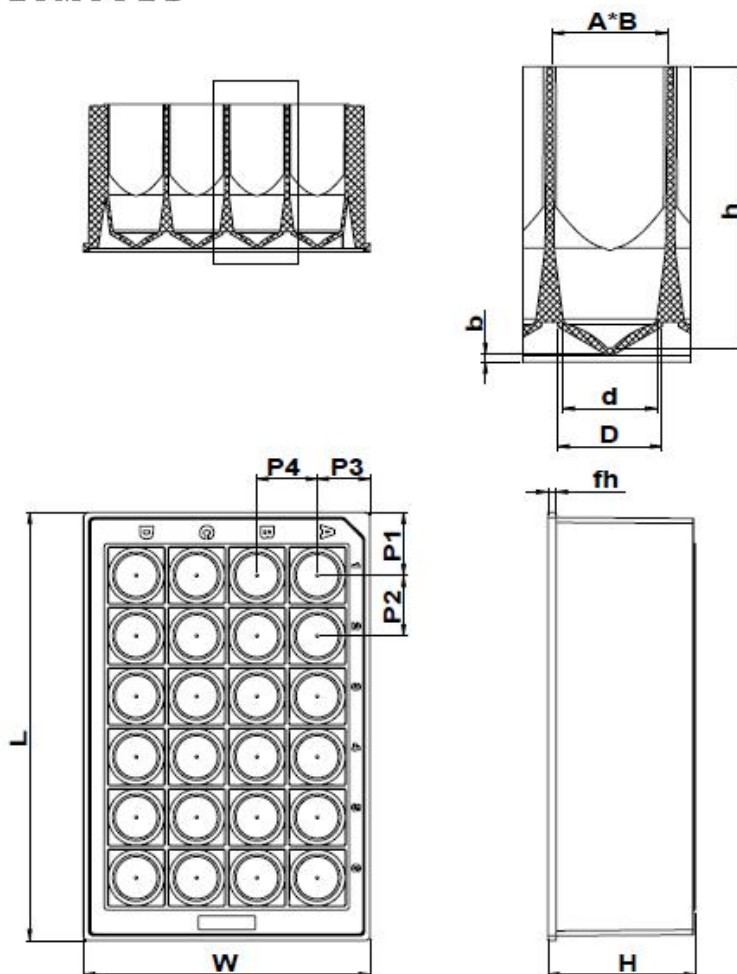
Item	Plate dimension						Well dimension	
	Length		Width		Height		Depth	Edge length
	L	L1	W	W1	H	fh	h	A/B
02-6022	127.00	110.00	85.00	74.00	41.90	4.00	38.60	2.20

Item	Bottom		Position of well center				Theoretical Weight[g]
	radius	Space					
	R	b	P1	P2	P3	P4	
02-6022	4.50	2.20	14.00	9.00	11.00	9.00	90.70



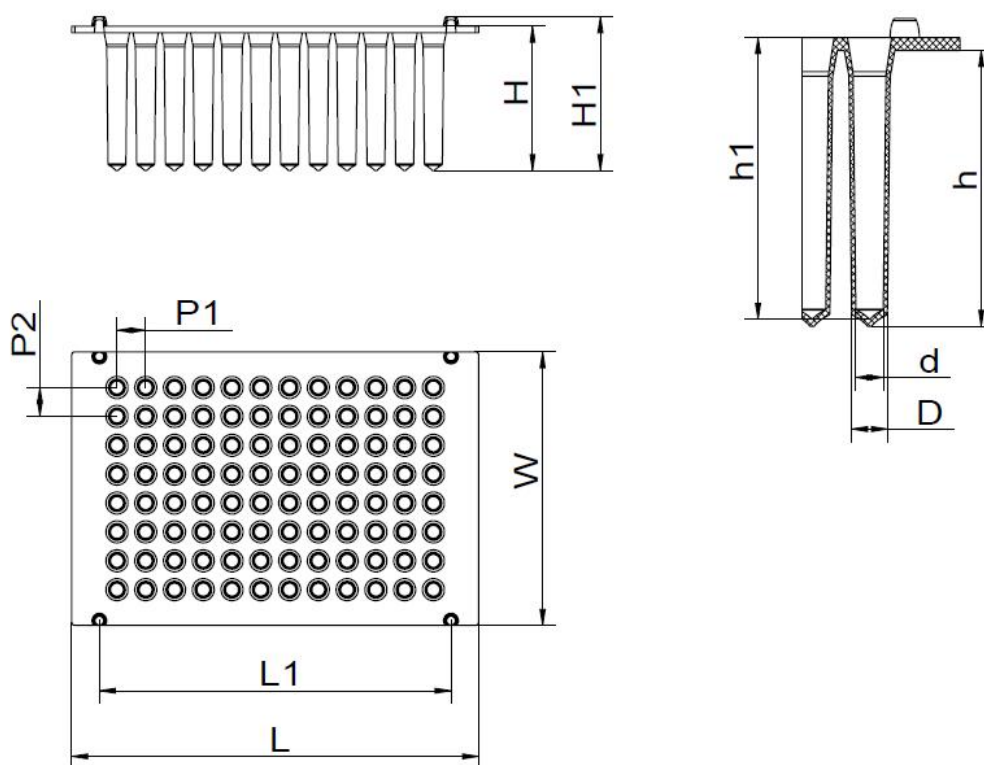
Item	Plate dimension				Well dimension		
	Length	Width	Height		Depth	Edge length	
	L	W	H	fh	h	A	B
02-7022	127.30	85.20	44.20	2.50	42.40	8.20	8.20
02-8005	127.50	85.35	15.10	2.50	13.30	8.20	8.20

Item	Bottom			Position of well center				Theoretical Weight[g]
	ID	OD	Space	P1	P2			
	d	D	b					
02-7022	6.90	8.00	1.20	9.00	9.00			86.00
02-8005	6.90	8.00	1.20	9.00	9.00			29.00



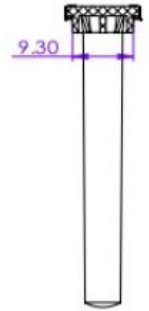
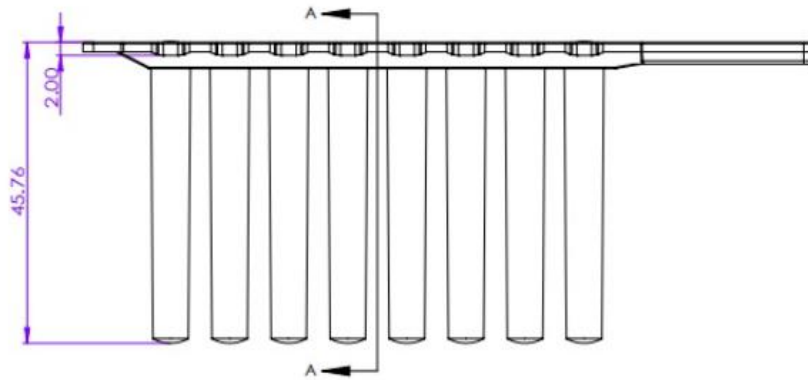
Item	Plate dimension				Well dimension		
	Length	Width	Height		Depth		Edge length
	L	W	H	fh	h	b	B
02-9010	127.50	85.50	44.00	2.50	41.90	1.20	17.10

Item	Bottom		Position of well center				Theoretical Weight[g]
	ID	OD					
	d	D	P1	P2	P3	P4	
02-9010	14.00	15.50	18.75	18.00	15.75	18.00	62.00

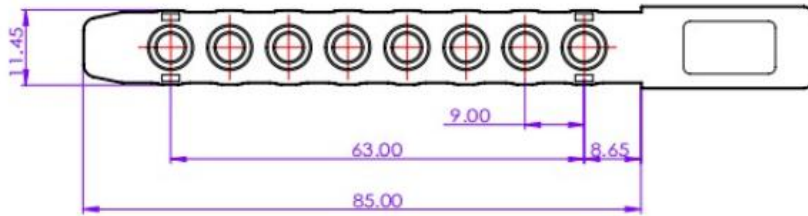


Item	Plate dimension					Well dimension	
	Length		Width	Height		Depth	
	L	L1	W	H	H1	h	h1
02-0096	127.30	110.00	85.30	45.00	48.00	43.00	43.90

Item	Bottom		Position of well center			Theoretical Weight[g]
	ID	OD	P1	P2		
	d	D				
02-0096	4.30	5.60	9.00	9.00		



剖面 A-A



02-0008